

# DSD-01

MODULAR STUDIO FURNITURE SYSTEM  
AND STUDIO ACCESSORIES



## PERFECTLY ADAPTABLE TO YOUR NEEDS THROUGH OUR STANDARD MODULES

Painted tubular steel frame construction

1" thick 30 work surfaces for added durability

Built-in cable management system for electrical and audio/data cables.

Suits all studio applications



# LO-01 & DSD-01

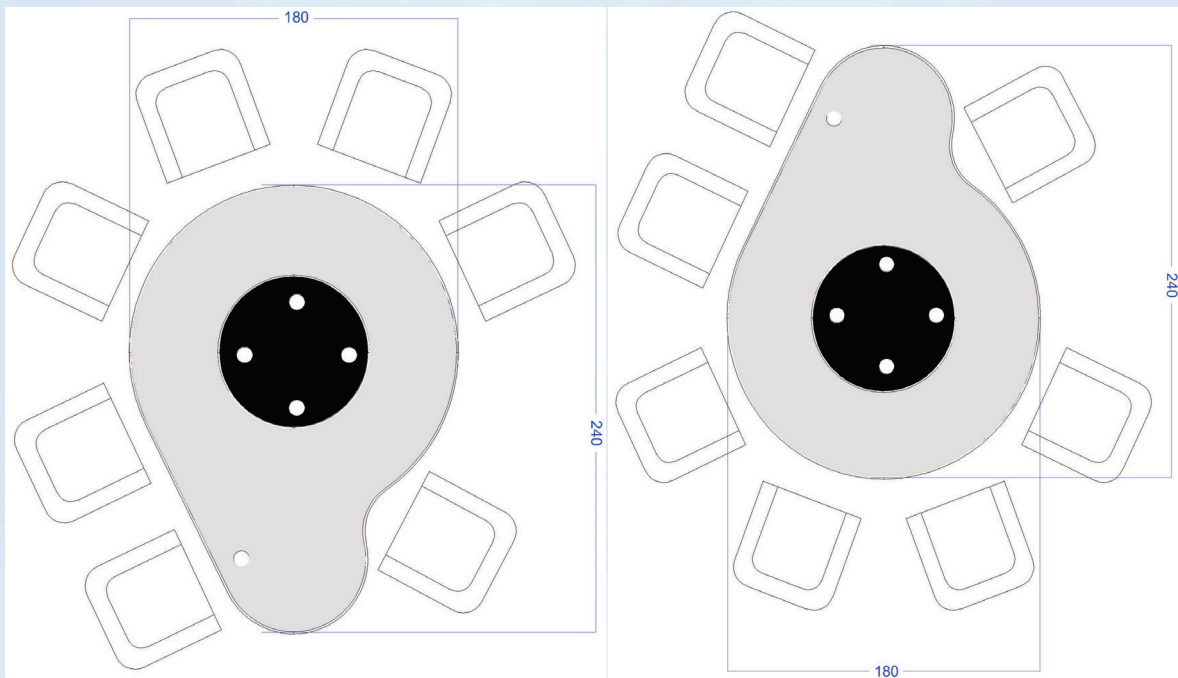
MODULAR STUDIO FURNITURE SYSTEM



LO-01 wall attached studio tables, 180 or 240, presenter centre



DSD-01 FL/FR Studio Tables, 180 or 240, presenter left or right



## AEQ USA

Phone: +1 954-581-7999 Fax: +1 954-581-7733  
e-mail: sales@aeqbroadcast.com website: www.aeqbroadcast.com

## International Sales

Phone: +34 91 686 13 00 Fax: +34 91 686 44 92  
e-mail: aeqsales@aeq.es website: www.aeq.eu

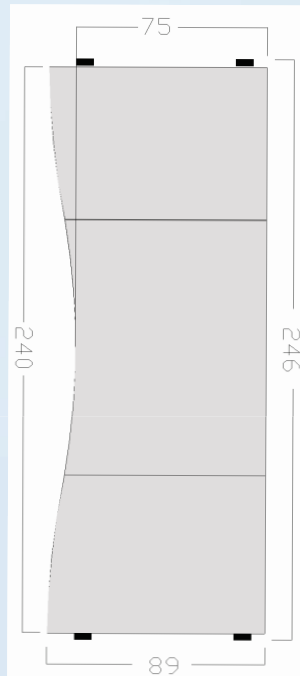
# DSD-01

MODULAR STUDIO FURNITURE SYSTEM

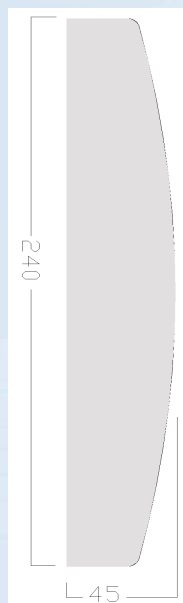


CHOOSE YOUR OWN CONFIGURATION FROM OUR STANDARD MODULES

## DSD-01A Basic Mixer Desktop 246 X 89



## DSD-01 E- Attached guest table 240 X 45



### AEQ USA

Phone: +1 954-581-7999 Fax: +1 954-581-7733  
e-mail: [sales@aeqbroadcast.com](mailto:sales@aeqbroadcast.com) website: [www.aeqbroadcast.com](http://www.aeqbroadcast.com)

### International Sales

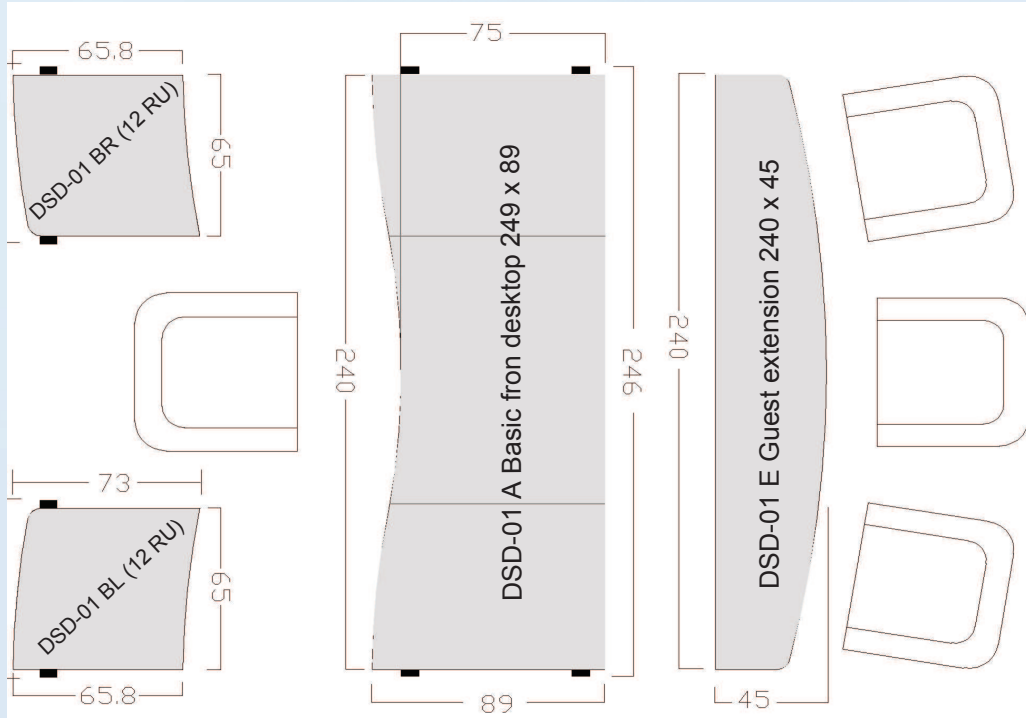
Phone: +34 91 686 13 00 Fax: +34 91 686 44 92  
e-mail: [aeqsales@aeq.es](mailto:aeqsales@aeq.es) website: [www.aeq.eu](http://www.aeq.eu)

# DSD-01

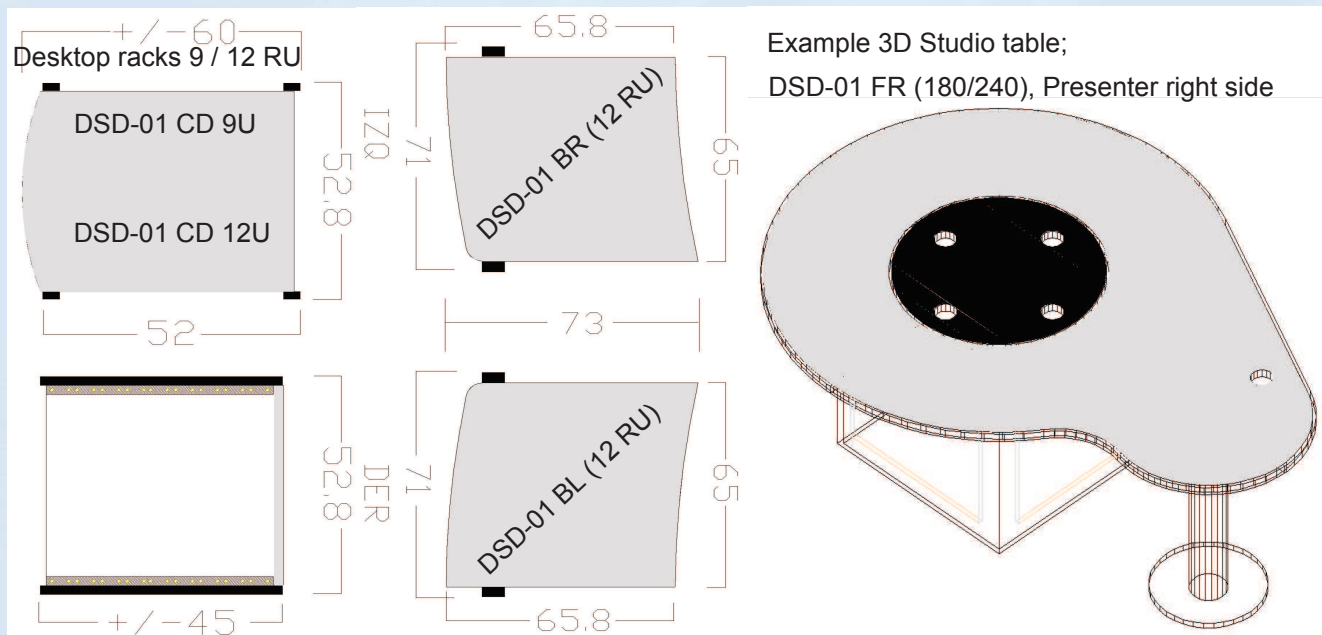
MODULAR STUDIO FURNITURE SYSTEM



DSD-01 standard modules, desktop terminations, floor and desktop equipment racks



DSD-01 standard modules, desktop terminations, floor and desktop equipment racks



## AEQ USA

Phone: +1 954-581-7999 Fax: +1 954-581-7733  
 e-mail: sales@aeqbroadcast.com website: www.aeqbroadcast.com

## International Sales

Phone: +34 91 686 13 00 Fax: +34 91 686 44 92  
 e-mail: aeqsales@aeq.es website: www.aeq.eu